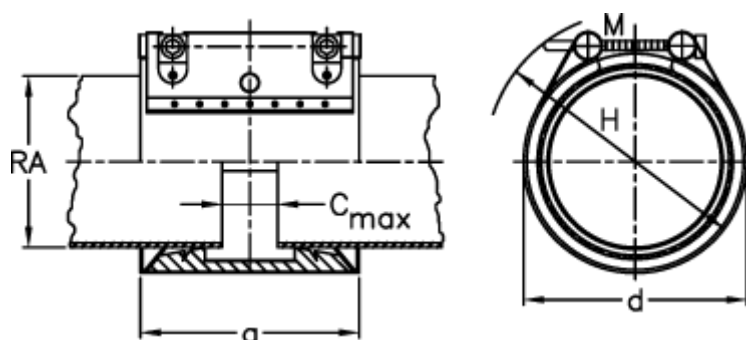


Article number: 025748300219

Description: Norma Connect pipe coupling
GRIP E W5 Ø=219,1 EPDM, 10 bar

Measures



a	= 142
C max with insertion band	= 35
d	= 240
H	= 270
M (screw)	= M16
Nominal pressure (bar)	= 16
RA	= 219.1
RA min-RA max	= 216,0-221,0

Weight a piece = 6.5